

**INSTITUTO DE CIENCIAS
DE LA CONSTRUCCIÓN
EDUARDO TORROJA**

C/ Serrano Galvache n. 4 28033 Madrid (Spain)
Tel.: (34) 91 302 04 40 Fax: (34) 91 302 07 00
direccion.ietcc@csic.es www.ietcc.csic.es

European Technical Assessment

ETA 11/0103 of 20/09/2018

English translation prepared by IETcc. Original version in Spanish language

General Part

Technical Assessment Body issuing the ETA designated according to Art. 29 of Regulation (EU) 305/2011

Instituto de Ciencias de la Construcción Eduardo Torroja (IETcc)

Trade name of the construction product

**Anchor CLOVERFIX MTH
Anchor CLOVERFIX MTH-A2
Anchor CLOVERFIX MTH-A4**

Product family to which the construction product belongs

Torque controlled expansion anchor made of galvanised steel or stainless steel of sizes M6, M8, M10, M12, M14, M16 and M20 for use in non-cracked concrete.

Manufacturer

Técnicas Expansivas S.L.
Rio Escalón 3
26006 Logroño (La Rioja) Spain.
website: www.cloverfix.es

Manufacturing plants

Cloverfix plant 1
Cloverfix plant 2

This European Technical Assessment contains

13 pages including 4 annexes which form an integral part of this assessment.

This European Technical Assessment is issued in accordance with regulation (EU) No 305/2011, on the basis of

European Technical Assessment EAD 330232-00-0601 "Mechanical Fasteners for use in concrete", ed. October 2016

This version replaces

ETA 11/0103 issued on 01/10/2014

English translation prepared by IETcc

This European Technical Assessment is issued by the Technical Assessment Body in its official language. Translations of this European Technical Assessment in other languages shall fully correspond to the original issued document and should be identified as such.

This European Technical Assessment may be withdrawn by the issuing Technical Assessment Body, in particular pursuant to information by the Commission according to article 25 (3) of Regulation (EU) No 305/2011.

SPECIFIC PART

1. Technical description of the product

The Cloverfix MTH in the range of M6, M8, M10, M12, M14, M16 and M20 is an anchor made of galvanised steel. The Cloverfix MTH-A2 and MTH-A4 in the range of M6, M8, M10, M12, M16 and M20 are anchors made of stainless steel of grades A2 and A4 respectively. The anchor is installed into a predrilled cylindrical hole and anchored by torque-controlled expansion. The anchorage is characterised by friction between expansion clip and concrete.

Product and product description is given in annex A.

2. Specification of the intended use in accordance with the applicable European Assessment Document.

The performances given in section 3 are only valid if the anchor is used in compliance with the specifications and conditions given in annex B.

The verifications and assessment methods on which this European Technical Assessment is based lead to the assumption of a working life of the anchor of at least 50 years. The indications given on the working life cannot be interpreted as a guarantee given by the producer, but are to be regarded only as a mean to choosing the right products in relation to the expected economically reasonable working life of the works.

3. Performance of the product and references to the methods used for its assessment

3.1 Mechanical resistance and stability (BWR 1)

Essential characteristic	Performance
MTH product performance for static or quasi static actions	See annex C
MTH-A2 and MTH-A4 product performance for static or quasi static actions	See annex D

3.2 Safety in case of fire (BWR 2)

Essential characteristic	Performance
Reaction to fire	Anchorage satisfy requirements for class A1
Resistance to fire	No performance determined

3.3 Hygiene, health and the environment (BWR 3)

This requirement is not relevant for the anchors.

3.4 Safety in use (BWR 4)

The essential characteristics regarding safety in use are included under the basic works requirement Mechanical Resistance and Stability.

English translation prepared by IETcc

3.5 Protection against noise (BWR 5)

This requirement is not relevant for the anchors.

3.6 Energy economy and heat retention (BWR 6)

This requirement is not relevant for the anchors.

3.7 Sustainable use of natural resources (BWR 7)

No performance assessed.

4. Assessment and verification of constancy of performance (hereinafter AVCP) system applied, with reference to its legal base

The applicable European legal act for the system of Assessment and Verification of Constancy of Performances (see annex V of Regulation (EU) No 305/2011) is 96/582/EC.

The system to be applied is 1.

5. Technical details necessary for the implementation of the AVCP system, as provided for in the applicable European Assessment Document.

The technical details necessary for the implementation of the AVCP system are laid down in the quality plan deposited at Instituto de Ciencias de la Construcción Eduardo Torroja.



Instituto de Ciencias de la Construcción Eduardo Torroja
CONSEJO SUPERIOR DE INVESTIGACIONES CIENTÍFICAS

C/ Serrano Galvache n.º 4. 28033 Madrid.
Tel: (+34) 91 302 04 40 Fax. (+34) 91 302 07 00
www.ietcc.csic.es



On behalf of the Instituto de Ciencias de la Construcción Eduardo Torroja
Madrid, 20th of September 2018

Angel Castillo Talavera
Director

Product and identification

MTH, MTH-A2, MTH-A4 anchor



Identification on anchor:

- Expansion clip:
 - Anchor MTH: Company logo + “MTH” + Metric size.
 - Anchor MTH-A2: Company logo + “MTH-A2” + Metric size.
 - Anchor MTH-A4: Company logo + “MTH-A4” + Metric size.
- Anchor body: Metric x Length
- Red ring marks to show embedment depths
- Anchor length letter code on the tip:

Letter code	Length [mm]
B	51 ÷ 62
C	63 ÷ 75
D	76 ÷ 88
E	89 ÷ 101
F	102 ÷ 113
G	114 ÷ 126
H	127 ÷ 139
I	140 ÷ 151
J	152 ÷ 164
K	165 ÷ 177
L	178 ÷ 190
M	191 ÷ 202
N	203 ÷ 215
P	229 ÷ 240
Q	241 ÷ 253
R	254 ÷ 266
S	267 ÷ 300

MTH, MTH-A2, MTH-A4 anchor

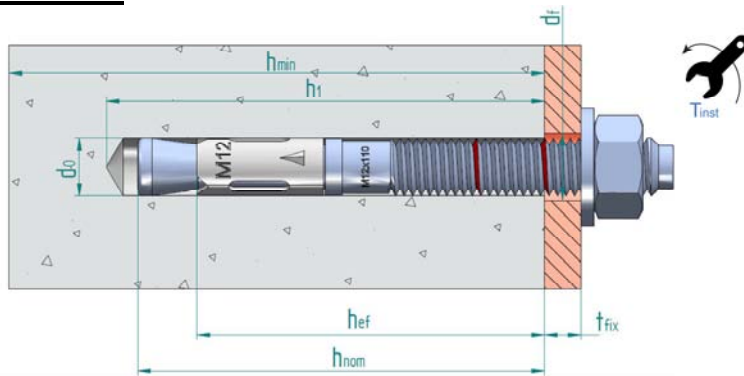
Product description

Identification

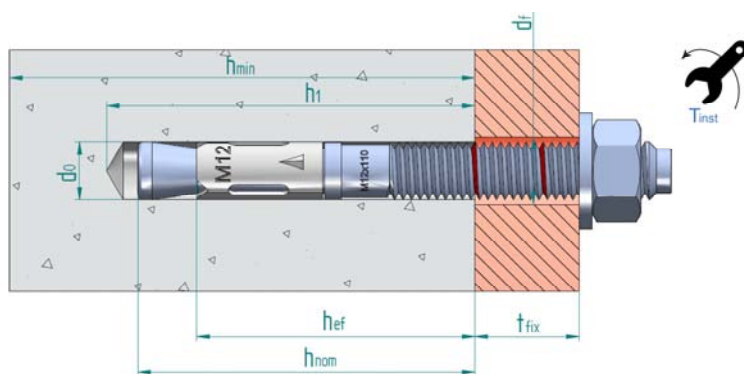
Annex A1

English translation prepared by IETcc

Installed condition



Standard embedment depth (all sizes)



Reduced embedment depth (sizes M8, M10, M12, M16 and M20)

- d_0 : Nominal diameter of drill bit
- d_f : Fixture clearance hole diameter
- h_{ef} : Effective anchorage depth
- h_1 : Depth of drilled hole
- h_{nom} : Overall anchor embedment depth in the concrete
- h_{min} : Minimum thickness of concrete member
- t_{fix} : Fixture thickness
- T_{ins} : Installation torque

Table A1: Materials

Item	Designation	Material for MTH	Material for MTH-A2	Material for MTH-A4
1	Anchor Body	Carbon steel galvanised $\geq 5 \mu\text{m}$ ISO 4042 A2, cold forged	Stainless steel, grade A2	Stainless steel, grade A4
2	Washer	DIN 125, DIN 9021 or DIN 440 galvanised $\geq 5 \mu\text{m}$ ISO 4042 A2	DIN 125, DIN 9021 or DIN 440, stainless steel grade A2	DIN 125, DIN 9021 or DIN 440, stainless steel grade A4
3	Nut	DIN 934 class 6 galvanised $\geq 5 \mu\text{m}$ ISO 4042 A2, class 6	DIN 934, stainless steel grade A2	DIN 934, stainless steel grade A4
4	Expansion clip	Carbon steel galvanised $\geq 5 \mu\text{m}$ ISO 4042 A2	Stainless steel, grade A2	Stainless steel, grade A4

MTH, MTH-A2, MTH-A4 anchor

Product description

Installed condition and materials

Annex A2

Intended use

Anchorage subjected to:

- Static or quasi static loads: all sizes and embedment depths

Base materials:

- Reinforced and unreinforced concrete according to EN 206-1
- Strength classes C20/25 to C50/60 according to EN 206-1
- Uncracked concrete

Use conditions (environmental conditions):

- The anchor shall be used in dry internal conditions: all anchor types
- Structural subjected to external atmospheric exposure (including industrial and marine environment) and to permanent internal conditions with no particular aggressive conditions exists: screw types made of stainless steel with marking A4. Such particular aggressive conditions are e.g. permanent, alternating immersion in seawater or the splash zone of seawater, chloride atmosphere of indoor swimming pools or atmosphere with extreme chemical pollution (e.g. in desulphurization plants or road tunnels where de-icing materials are used).

Design:

- Anchorages are designed under the responsibility of an engineer experienced in anchorages and concrete.
- Verifiable calculation rules and drawings are prepared taking into account of the loads to be attached. The position of the anchor is indicated on the design drawings (e.g. position of the anchor relative to reinforcement or to supports, etc.)
- Anchorages under static or quasi-static loads are designed for design Method A in accordance with:
 - ETAG 001, Annex C, edition August 2010 or
 - EN 1992-4:2018
- Size M8 in reduced embedment depth is restricted to anchoring of structural components which are statically indeterminate.

Installation:

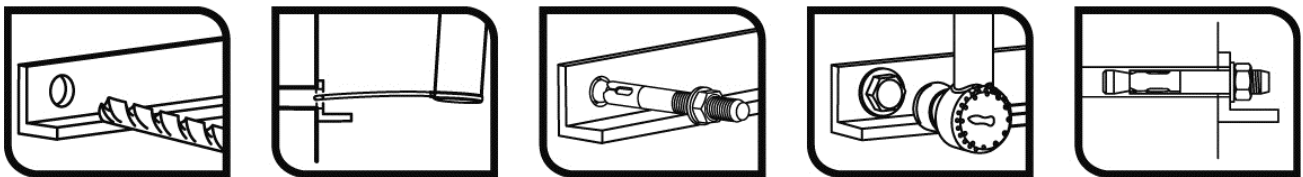
- Hammer drilling only.
- Anchor installation carried out by appropriately qualified personal and under the supervision of the person responsible for technical matters of the site.
- In case of aborted hole: new drilling at a minimum distance away of twice the depth of aborted hole or smaller distance if the aborted hole is filled with high strength mortar and if under shear or oblique tension load it is not the direction of the load application.

MTH, MTH-A2, MTH-A4 anchor	Annex B1
Intended use	
Specifications	

Table C1: Installation parameters for MTH anchor

MTH: GALVANISED ANCHOR Installation parameters		Performances						
		M6	M8	M10	M12	M14	M16	M20
d_0	Nominal diameter of drill bit: [mm]	6	8	10	12	14	16	20
d_f	Fixture clearance hole diameter: [mm]	7	9	12	14	16	18	22
T_{inst}	Nominal installation torque: [Nm]	7	20	35	60	90	120	240
Standard embedment depth								
L_{min}	Minimum length of the bolt: [mm]	60	75	85	100	115	125	160
h_{min}	Minimum thickness of concrete member: [mm]	100	100	110	130	150	168	206
h_1	Depth of drilled hole \geq [mm]	55	65	75	85	100	110	135
h_{nom}	Overall anchor embed depth in concrete: [mm]	49.5	59.5	66.5	77	91	103.5	125
$h_{ef, std}$	Effective anchorage depth: [mm]	40	48	55	65	75	84	103
t_{fix}	Thickness of fixture for DIN 125 washer \leq [mm]	L-58	L-70	L-80	L-92	L-108	L-122	L-147
t_{fix}	Thickness of fixture for DIN 9021 or DIN 440 washer \leq [mm]	L-58	L-71	L-80	L-94	L-108	L-124	L-149
s_{min}	Minimum allowable spacing: [mm]	35	40	50	70	80	90	135
c_{min}	Minimum allowable distance: [mm]	35	40	50	70	80	90	135
Reduced embedment depth								
L_{min}	Minimum length of the bolt: [mm]	--	60	70	80	--	110	130
h_{min}	Minimum thickness of concrete member: [mm]	--	100	100	100	--	130	150
h_1	Depth of drilled hole: [mm]	--	50	60	70	--	90	107
h_{nom}	Overall anchor embed depth in concrete: [mm]	--	46.5	53.5	62	--	84.5	97
$h_{ef, red}$	Effective anchorage depth: [mm]	--	35	42	50	--	65	75
t_{fix}	Thickness of fixture for DIN 125 washer \leq [mm]	--	L-57	L-67	L-77	--	L-103	L-121
t_{fix}	Thickness of fixture for DIN 9021 or DIN 440 washer \leq [mm]	--	L-58	L-67	L-79	--	L-105	L-123
s_{min}	Minimum allowable spacing: [mm]	--	40	50	70	--	90	135
c_{min}	Minimum allowable distance: [mm]	--	40	50	70	--	90	135

Installation process



MTH anchor

Performances

Installation parameters and installation procedure

Annex C1

English translation prepared by IETcc

Table C2: Characteristic resistance values to tension loads of design method A according to ETAG 001, Annex C or EN 1992-4 for MTH anchor

MTH: GALVANISED ANCHOR			Performances						
			M6	M8	M10	M12	M14	M16	M20
STEEL FAILURE									
$N_{Rk,s}$	Characteristic resistance:	[kN]	7.4	13.0	23.7	33.3	49.1	60.1	99.5
$\gamma_{M,s}$	Partial safety factor:	[-]	1.40	1.40	1.40	1.40	1.40	1.40	1.40
PULL OUT FAILURE									
Standard embedment depth									
$N_{Rk,p}$	Characteristic resistance in C20/25 uncracked concrete:	[kN]	-- ³⁾	-- ³⁾	19.0	-- ³⁾	-- ³⁾	-- ³⁾	-- ³⁾
$\gamma_{ins}^{1)}$ $\gamma_2^{2)}$	Installation safety factor:	[-]	1.0						
Ψ_c	Increasing factors for $N_{Rk,c}^0$:	C30/37	1.22						
		C40/50	1.41						
		C50/60	1.55						
Reduced embedment depth									
$N_{Rk,p}$	Characteristic resistance in C20/25 uncracked concrete:	[kN]	--	10	-- ³⁾	-- ³⁾	--	-- ³⁾	-- ³⁾
$\gamma_{ins}^{1)}$ $\gamma_2^{2)}$	Installation safety factor:	[-]	--	1.0			--	1.0	
Ψ_c	Increasing factors for $N_{Rk,c}^0$:	C30/37	--	1.22			--	1.22	
		C40/50	--	1.41			--	1.41	
		C50/60	--	1.55			--	1.55	
CONCRETE CONE FAILURE AND SPLITTING FAILURE									
Standard embedment depth									
$h_{ef, std}$	Effective anchorage depth:	[mm]	40	48	55	65	75	84	103
$k_{ucr, N}^{1)}$	Factor for uncracked concrete:	[-]	11.0						
$k_1^{2)}$	Factor for uncracked concrete:	[-]	10.1						
$\gamma_{ins}^{1)}$ $\gamma_2^{2)}$	Installation safety factor:	[-]	1.0						
$S_{cr, N}$	Concrete cone failure:	[mm]	3 x h_{ef}						
$C_{cr, N}$		[mm]	1.5 x h_{ef}						
$S_{cr, sp}$	Splitting failure:	[mm]	160	192	220	260	300	280	360
$C_{cr, sp}$		[mm]	80	96	110	130	150	140	180
Reduced embedment depth									
$h_{ef, std}$	Effective anchorage depth:	[mm]	--	35	42	50	--	65	75
$k_{ucr, N}^{1)}$	Factor for uncracked concrete:	[-]	--	11.0			--	11.0	
$k_1^{2)}$	Factor for uncracked concrete:	[-]	--	10.1			--	10.1	
$\gamma_{ins}^{1)}$ $\gamma_2^{2)}$	Installation safety factor:	[-]	--	1.0			--	1.0	
$S_{cr, N}$	Concrete cone failure	[mm]	--	3 x h_{ef}			--	3 x h_{ef}	
$C_{cr, N}$		[mm]	--	1.5 x h_{ef}			--	1.5 x h_{ef}	
$S_{cr, sp}$	Splitting failure:	[mm]	--	140	168	200	--	260	300
$C_{cr, sp}$		[mm]	--	70	84	100	--	130	150

¹⁾ Parameter relevant only for design according to EN 1992-4:2018

²⁾ Parameter relevant only for design according to ETAG 001, Annex C

³⁾ Pull out failure is not decisive

MTH anchor

Performances

Characteristic values for tension loads

Annex C2

Table C3: Characteristic resistance values to shear loads of design method A according to ETAG 001, Annex C or EN 1992-4 for MTH anchor

MTH: GALVANISED ANCHOR		Performances							
		M6	M8	M10	M12	M14	M16	M20	
STEEL FAILURE WITHOUT LEVER ARM									
$V_{Rk,s}$	Characteristic resistance:	[kN]	5.1	9.3	14.7	20.6	28.1	38.4	56.3
$k_7^{(1)}$	Ductility factor:	[-]	1.0						
$\gamma_{M,s}$	Partial safety factor:	[-]	1.25						
STEEL FAILURE WITH LEVER ARM									
$M_{Rk,s}^0$	Characteristic bending moment:	[Nm]	7.7	19.1	38.1	64.1	102.2	163.1	298.5
$\gamma_{M,s}$	Partial safety factor:	[-]	1.25						
CONCRETE PRYOUT FAILURE									
$k_8^{(1)}$	k factor:	for $h_{ef, std}$	1.0	1.0	1.0	2.0	2.0	2.0	2.0
$k^{(2)}$		for $h_{ef, red}$	[-]	--	1.0	1.0	1.0	--	2.0
$\gamma_{ins}^{(1)}$ $\gamma_2^{(2)}$	Installation safety factor:	[-]	1.0						
CONCRETE EDGE FAILURE									
l_f	Effective length of anchor:	for $h_{ef, std}$	40	48	55	65	75	84	103
		for $h_{ef, red}$	[mm]	--	35	42	50	--	65
d_{nom}	Outside diameter of anchor:	[mm]	6	8	10	12	14	16	20
$\gamma_{ins}^{(1)}$ $\gamma_2^{(2)}$	Installation safety factor:	[-]	1.0						

¹⁾ Parameter relevant only for design according to EN 1992-4:2018

²⁾ Parameter relevant only for design according to ETAG 001, Annex C

Table C4: Displacements under tension loads for MTH

MTH: GALVANISED ANCHOR		Performances							
		M6	M8	M10	M12	M14	M16	M20	
Standard embedment depth									
	Tension load in non cracked concrete:	[kN]	3.8	6.6	9.0	12.6	15.6	18.5	25.1
$\bar{\delta}_{N0}$	Displacement:	[mm]	0.4	0.7	1.0	1.2	1.3	1.9	2.2
$\bar{\delta}_{N\infty}$		[mm]	1.8	2.1	2.4	2.6	2.7	3.3	3.8
Reduced embedment depth									
	Tension load in non cracked concrete:	[kN]	--	4.8	6.5	8.5	--	12.6	15.6
$\bar{\delta}_{N0}$	Displacement:	[mm]	--	0.3	0.6	1.0	--	1.6	1.9
$\bar{\delta}_{N\infty}$		[mm]	--	1.4	1.7	2.1	--	2.7	3.0

Table C5: Displacements under shear loads for MTH

MTH: GALVANISED ANCHOR		Performances							
		M6	M8	M10	M12	M14	M16	M20	
Standard embedment depth									
	Shear load in non cracked concrete:	[kN]	2.9	5.3	8.4	11.8	16.0	21.9	32.1
$\bar{\delta}_{V0}$	Displacement:	[mm]	0.65	2.80	1.75	2.45	2.78	3.53	4.13
$\bar{\delta}_{V\infty}$		[mm]	0.98	4.20	2.63	3.68	4.16	5.29	6.19
Reduced embedment depth									
	Shear load in non cracked concrete:	[kN]	--	5.3	8.4	11.8	--	21.9	32.1
$\bar{\delta}_{V0}$	Displacement:	[mm]	--	0.59	1.22	1.10	--	3.10	3.40
$\bar{\delta}_{V\infty}$		[mm]	--	0.89	1.83	1.65	--	4.60	5.10

MTH anchor

Performances

Characteristic values for shear loads
Displacements under tension and shear loads

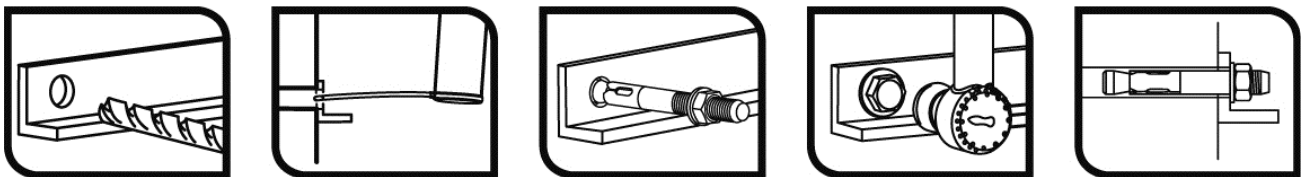
Annex C3

English translation prepared by IETcc

Table D1: Installation parameters for MTH-A2, MTH-A4 anchor

MTH-A2, MTH-A4: STAINLESS STEEL ANCHOR Installation parameters		Performances					
		M6	M8	M10	M12	M16	M20
d_0	Nominal diameter of drill bit: [mm]	6	8	10	12	16	20
d_f	Fixture clearance hole diameter: [mm]	7	9	12	14	18	22
T_{inst}	Nominal installation torque: [Nm]	7	20	35	60	120	240
Standard embedment depth							
L_{min}	Minimum length of the bolt: [mm]	60	75	85	100	125	160
h_{min}	Minimum thickness of concrete member: [mm]	100	100	110	130	168	206
h_1	Depth of drilled hole \geq [mm]	55	65	75	85	110	135
h_{nom}	Overall anchor embed depth in concrete: [mm]	49.5	59.5	66.5	77	103.5	125
$h_{ef, std}$	Effective anchorage depth: [mm]	40	48	55	65	84	103
t_{fix}	Thickness of fixture for DIN 125 washer \leq [mm]	L-58	L-70	L-80	L-92	L-122	L-147
t_{fix}	Thickness of fixture for DIN 9021 or DIN 440 washer \leq [mm]	L-58	L-71	L-80	L-94	L-124	L-149
s_{min}	Minimum allowable spacing: [mm]	50	65	70	85	110	135
c_{min}	Minimum allowable distance: [mm]	50	65	70	85	110	135
Reduced embedment depth							
L_{min}	Minimum length of the bolt: [mm]	--	60	70	80	--	--
h_{min}	Minimum thickness of concrete member: [mm]	--	100	100	100	--	--
h_1	Depth of drilled hole: [mm]	--	50	60	70	--	--
h_{nom}	Overall anchor embed depth in concrete: [mm]	--	46.5	53.5	62	--	--
$h_{ef, red}$	Effective anchorage depth: [mm]	--	35	42	50	--	--
t_{fix}	Thickness of fixture for DIN 125 washer \leq [mm]	--	L-57	L-67	L-77	--	--
t_{fix}	Thickness of fixture for DIN 9021 or DIN 440 washer \leq [mm]	--	L-58	L-67	L-79	--	--
s_{min}	Minimum allowable spacing: [mm]	--	65	70	85	--	--
c_{min}	Minimum allowable distance: [mm]	--	65	70	85	--	--

Installation process



MTH-A2, MTH-A4 anchor

Performances

Installation parameters and installation procedure

Annex D1

English translation prepared by IETcc

Table D2: Characteristic resistance values to tension loads of design method A according to ETAG 001, Annex C or EN 1992-4 for MTH-A2, MTH-A4 anchor

MTH-A2, MTH-A4: STAINLESS STEEL ANCHOR		Performances						
		M6	M8	M10	M12	M16	M20	
STEEL FAILURE								
$N_{Rk,s}$	Characteristic resistance:	[kN]	10.1	19.1	34.3	49.6	85.9	140.7
$\gamma_{M,s}$	Partial safety factor:	[-]	1.68					
PULL OUT FAILURE								
Standard embedment depth								
$N_{Rk,p}$	Characteristic resistance in C20/25 uncracked concrete:	[kN]	-- ³⁾	12	16	25	35	50
$\gamma_{ins}^{1)}$ $\gamma_2^{2)}$	Installation safety factor:	[-]	--	1.0	1.2			
Reduced embedment depth								
$N_{Rk,p}$	Characteristic resistance in C20/25 uncracked concrete:	[kN]	--	9	12	16	--	--
$\gamma_{ins}^{1)}$ $\gamma_2^{2)}$	Installation safety factor:	[-]	--	1.2		--	--	
Ψ_c	Increasing factors for $N_{Rk,c}^0$:	C30/37	1.22					
		C40/50	1.41					
		C50/60	1.55					
CONCRETE CONE FAILURE AND SPLITTING FAILURE								
Standard embedment depth								
$h_{ef, std}$	Effective anchorage depth:	[mm]	40	48	55	65	84	103
$k_{ucr, N}^{1)}$	Factor for uncracked concrete:	[-]	11.0					
$k_1^{2)}$	Factor for uncracked concrete:	[-]	10.1					
$\gamma_{ins}^{1)}$ $\gamma_2^{2)}$	Installation safety factor:	[-]	1.0		1.2			
$s_{cr, N}$	Concrete cone failure:	[mm]	$3 \times h_{ef}$					
$c_{cr, N}$		[mm]	$1.5 \times h_{ef}$					
$s_{cr, sp}$	Splitting failure:	[mm]	160	192	220	260	336	412
$c_{cr, sp}$		[mm]	80	96	110	130	168	206
Reduced embedment depth								
$h_{ef, std}$	Effective anchorage depth:	[mm]	--	35	42	50	--	--
$k_{ucr, N}^{1)}$	Factor for uncracked concrete:	[-]	11.0					
$k_1^{2)}$	Factor for uncracked concrete:	[-]	10.1					
$\gamma_{ins}^{1)}$ $\gamma_2^{2)}$	Installation safety factor:	[-]	--	1.2		--	--	
$s_{cr, N}$	Concrete cone failure:	[mm]	--	$3 \times h_{ef}$		--	--	
$c_{cr, N}$		[mm]	--	$1.5 \times h_{ef}$		--	--	
$s_{cr, sp}$	Splitting failure:	[mm]	--	140	168	200	--	--
$c_{cr, sp}$		[mm]	--	70	84	100	--	-

¹⁾ Parameter relevant only for design according to EN 1992-4:2018

²⁾ Parameter relevant only for design according to ETAG 001, Annex C

³⁾ Pull out failure is not decisive

MTH-A2, MTH-A4 anchor

Performances

Characteristic values for tension loads

Annex D2

Table D3: Characteristic resistance values to shear loads of design method A according to ETAG 001, Annex C or EN 1992-4 for MTH-A2, MTH-A4 anchor

MTH-A2, MTH-A4: STAINLESS STEEL ANCHOR				Performances					
				M6	M8	M10	M12	M16	M20
STEEL FAILURE WITHOUT LEVER ARM									
$V_{Rk,s}$	Characteristic resistance:	[kN]	6.0	10.9	17.4	25.2	47.1	73.5	
$k_T^{1)}$	Ductility factor:	[-]	1.0						
$\gamma_{M,s}$	Partial safety factor	[-]	1.52						
STEEL FAILURE WITH LEVER ARM									
$M_{Rk,s}^0$	Characteristic bending moment:	[Nm]	9.2	22.5	44.9	78.6	200	389	
$\gamma_{M,s}$	Partial safety factor:	[-]	1.52						
CONCRETE PRYOUT FAILURE									
$k_8^{1)}$	k factor:	for $h_{ef,std}$	[-]	1.0	1.0	1.0	2.0	2.0	2.0
$k_2^{2)}$		for $h_{ef,red}$	[-]	--	1.0	1.0	1.0	--	--
$\gamma_{ins}^{1)}$ $\gamma_2^{2)}$	Installation safety factor:	[-]	1.0						
CONCRETE EDGE FAILURE									
l_f	Effective length of anchor under shear loads:	for $h_{ef,std}$	[mm]	40	48	55	65	84	103
		for $h_{ef,red}$	[mm]	--	35	42	50	--	--
d_{nom}	Outside diameter of anchor:	[mm]	6	8	10	12	16	20	
$\gamma_{ins}^{1)}$ $\gamma_2^{2)}$	Installation safety factor:	[-]	1.0						

¹⁾ Parameter relevant only for design according to EN 1992-4:2018

²⁾ Parameter relevant only for design according to ETAG 001, Annex C

Table D4: Displacements under tension loads for MTH-A2, MTH-A4

MTH-A2, MTH-A4: STAINLESS STEEL ANCHOR				Performances					
				M6	M8	M10	M12	M16	M20
Standard embedment depth									
	Tension load in non cracked concrete:	[kN]	4.3	5.7	6.3	9.9	13.8	19.8	
$\bar{\delta}_{N0}$	Displacement:	[mm]	0.42	0.22	0.17	0.19	0.19	0.11	
$\bar{\delta}_{N\infty}$		[mm]	1.33	1.33	1.33	1.33	1.33	1.33	
Reduced embedment depth									
	Tension load in non cracked concrete:	[kN]	--	4.2	5.7	7.6	--	--	
$\bar{\delta}_{N0}$	Displacement:	[mm]	--	0.07	0.04	0.32	--	--	
$\bar{\delta}_{N\infty}$		[mm]	--	0.60	0.60	0.60	--	--	

Table D5: Displacements under shear loads for MTH-A2, MTH-A4

MTH-A2, MTH-A4: STAINLESS STEEL ANCHOR				Performances					
				M6	M8	M10	M12	M16	M20
Standard embedment depth									
	Shear load in non cracked concrete:	[kN]	2.8	5.1	8.1	11.8	22.1	34.5	
$\bar{\delta}_{V0}$	Displacement:	[mm]	1.66	1.79	3.83	4.13	5.75	6.59	
$\bar{\delta}_{V\infty}$		[mm]	2.49	2.68	5.74	6.19	8.62	9.88	
Reduced embedment depth									
	Shear load in non cracked concrete:	[kN]	--	5.1	8.1	11.8	--	--	
$\bar{\delta}_{V0}$	Displacement:	[mm]	--	0.60	3.83	4.13	--	--	
$\bar{\delta}_{V\infty}$		[mm]	--	0.90	5.74	6.19	--	--	

MTH-A2, MTH-A4 anchor

Performances

Characteristic values for shear loads
Displacements under tension and shears

Annex D3