



TAPLA ZK Zamak plug

Material for use:

HOLLOWS



Plasterboard

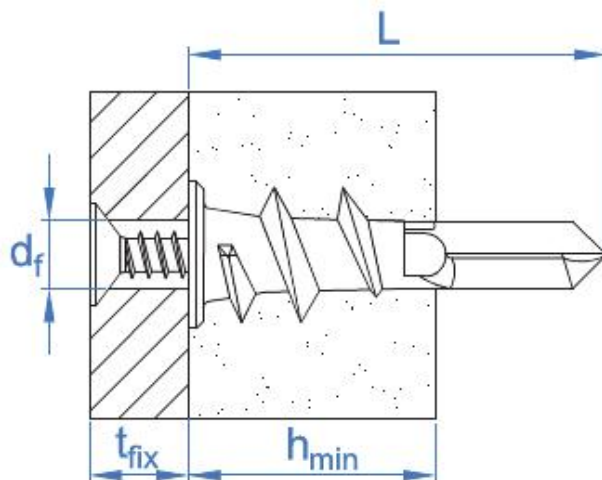
Product Material / Covering:

Zamak

PROFESSIONAL BOX

CODE	DIMENSIONS	EAN		
TAPLAZK	13 x 37	8423533089755	100	1600

TECHNICAL INFORMATION



CODE	DIMENSIONS	tam_huella	Hole depth min.	Min. substrate thickness	Length	Metric	Tension load plasterboard	Suitable for
TAPLAZK	13 x 37	PZ3	25	9-16	37	13	8	TPPO 4,5 x 50 / DIN-7981 4,2 x 38

CARACTERÍSTICAS



Zamak



Light loads

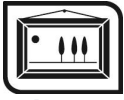


Ph

RECOMMENDED FOR



Lamp bracket



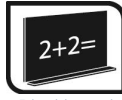
Picture



Fluorescent



Ceiling lamp



Blackboard



Ceilings

TECHNICAL DOCUMENTATION



DATA SHEET

https://www.indexfix.com/docs/FT_TAPLA_en.pdf

*The data shown in this table are merely informative and do not constitute, in any case, contractual conditions of supply. The references contained in our catalog will be available until end of stock. Our prices do not included value added tax. This will be taxed according to current legislation for local and international transactions.