



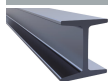
Bimetal, stainless steel A2, self-drilling screw. Point no. 5 and hexagonal washer head.



# AUTO BIMETAL Screw

Material for use:

METAL



I-beam





Metal sheet - heavy profiles



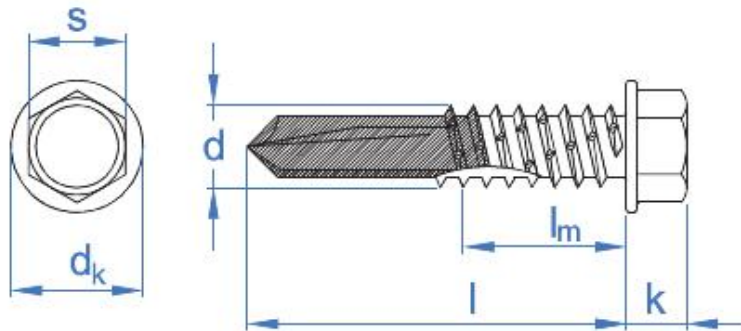
Product Material / Covering:

Stainless steel A2 + Steel

## PROFESSIONAL BOX

CODE	DIMENSIONS	EAN		
BAUTO5540	5,5 x 40	8423533594266	500	3000
BAUTO5550	5,5 x 50	8423533594273	500	3000
BAUTO5565	5,5 x 65	8423533594280	250	1500
BAUTO5580	5,5 x 80	8423533594297	250	1000
BAUTO5510	5,5 x 100	8423533594303	100	600

## TECHNICAL INFORMATION



CODE	DIMENSIONS	tam_huella	Installation key	Length	Head Ø	Head thickness	Drill capacity	Metric
BAUTO5540	5,5 x 40	8	8	40	10,5	5,3	2,50-6,00	5.5
BAUTO5550	5,5 x 50	8	8	50	10,5	5,3	2,50-6,00	5.5
BAUTO5565	5,5 x 65	8	8	65	10,5	5,3	2,50-6,00	5.5
BAUTO5580	5,5 x 80	8	8	80	10,5	5,3	2,50-6,00	5.5
BAUTO5510	5,5 x 100	8	8	100	10,5	5,3	2,50-6,00	5.5

## CARACTERÍSTICAS



Stainless steel A2 + Steel Silver Ruspert

## RECOMMENDED FOR



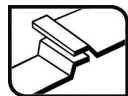
Shelving anchor



Fire extinguisher anchor



Shopping mall sign



Sheet profiles



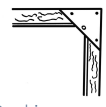
Sandwich plates with overhead



Signs



Iron roofing



Decking screws



**DATA SHEET**

[https://www.indexfix.com/docs/FT\\_BRO\\_en.pdf](https://www.indexfix.com/docs/FT_BRO_en.pdf)

\*The data shown in this table are merely informative and do not constitute, in any case, contractual conditions of supply. The references contained in our catalog will be available until end of stock. Our prices do not included value added tax. This will be taxed according to current legislation for local and international transactions.